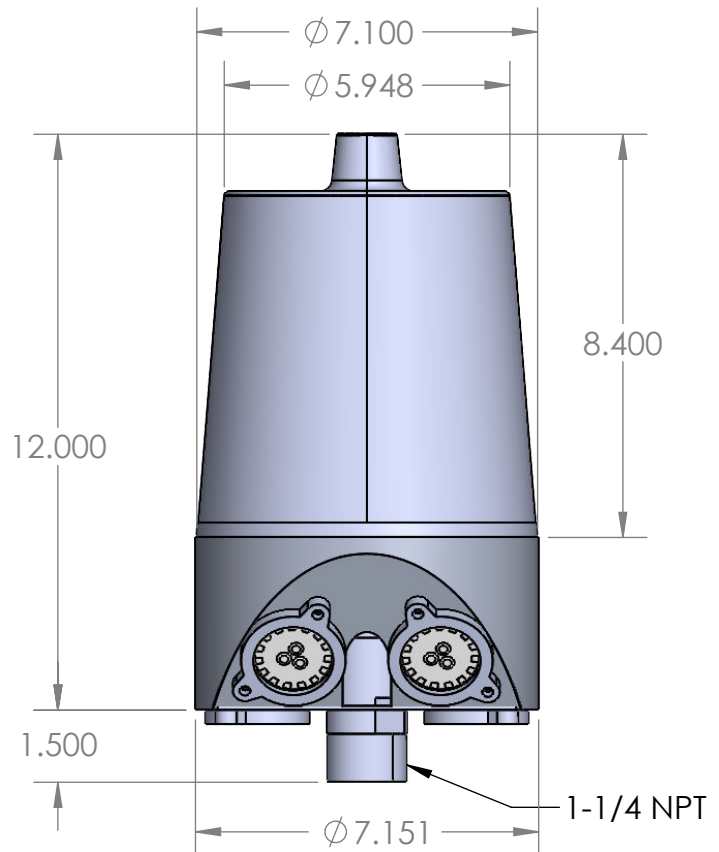
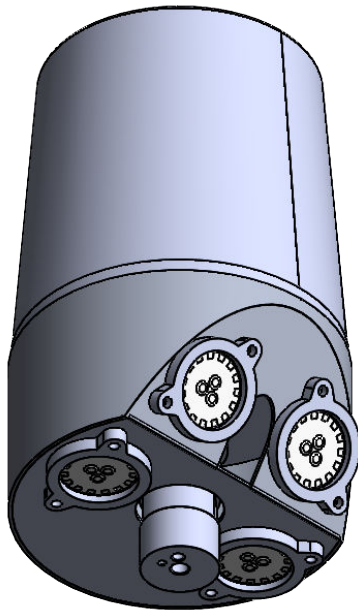
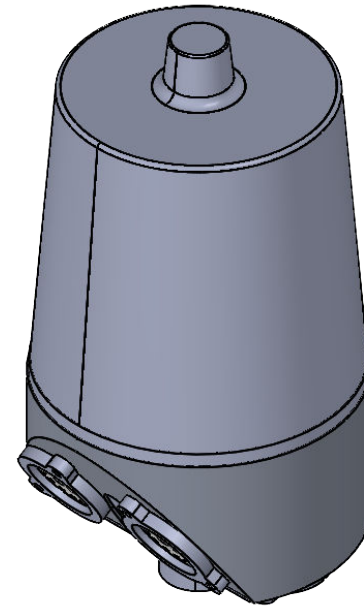


2

1



FLAGPOLE BEACON  
8" INTERNAL HALYARD WITH BEACON PLUS  
VOLTAGE: 12 VDC



B

B

A

A

**PROPRIETARY AND CONFIDENTIAL**  
THE INFORMATION CONTAINED IN THIS DRAWING IS THE SOLE PROPERTY OF <COMPANY NAME>. ANY REPRODUCTION IN PART OR AS A WHOLE WITHOUT THE WRITTEN PERMISSION OF <COMPANY NAME> IS PROHIBITED.

		DIMENSIONS ARE IN INCHES TOLERANCES: FRACTIONAL ± ANGULAR: MACH ± BEND ± TWO PLACE DECIMAL ± THREE PLACE DECIMAL ±		NAME	DATE
		MATERIAL		DRAWN	
		FINISH		CHECKED	
NEXT ASSY	USED ON			ENG APPR.	
APPLICATION		DO NOT SCALE DRAWING		MFG APPR.	
				Q.A.	
				COMMENTS:	
				SIZE	DWG. NO.
				<b>A</b>	8in BEACON PLUS
				SCALE:1:4	WEIGHT:
				REV.	
				SHEET 1 OF 1	

2

1